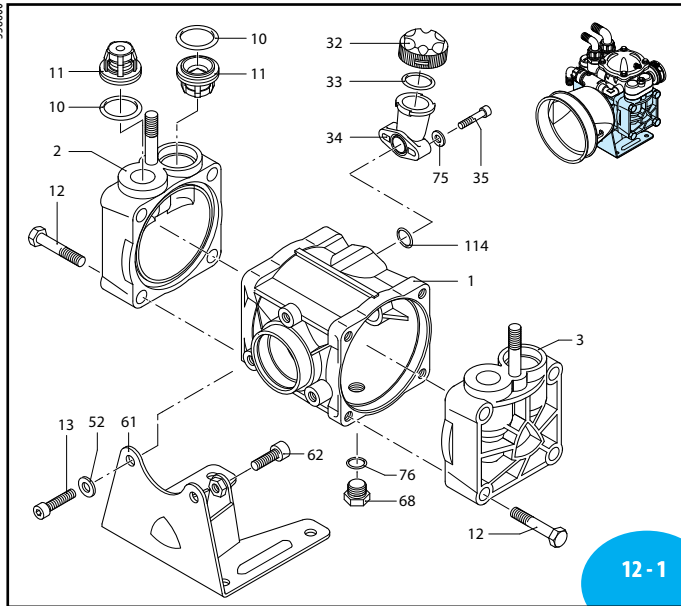
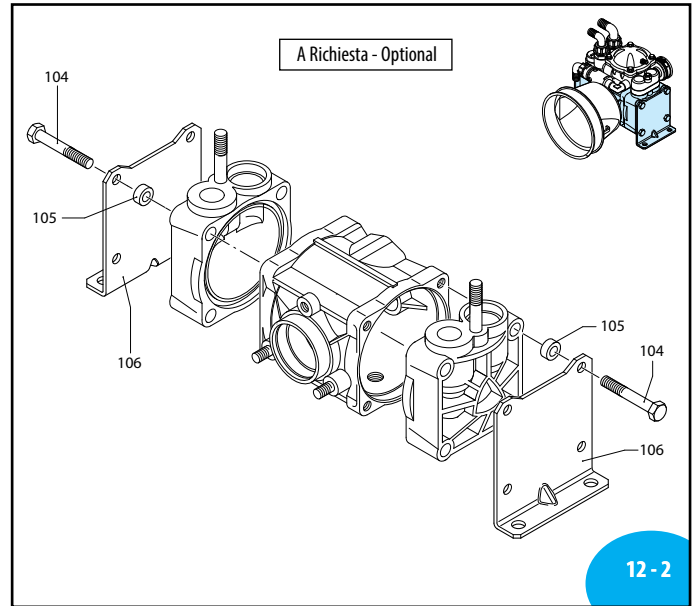


558600



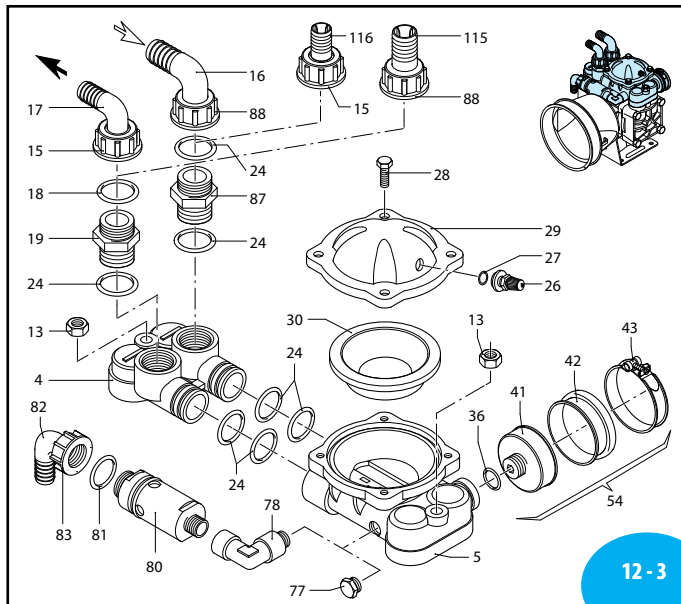
12-1

SL000310-BU



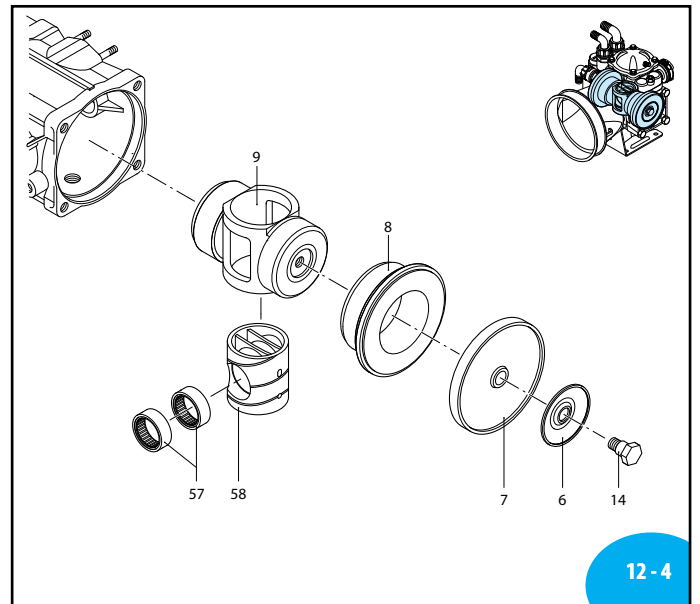
12-2

UN000796-ED



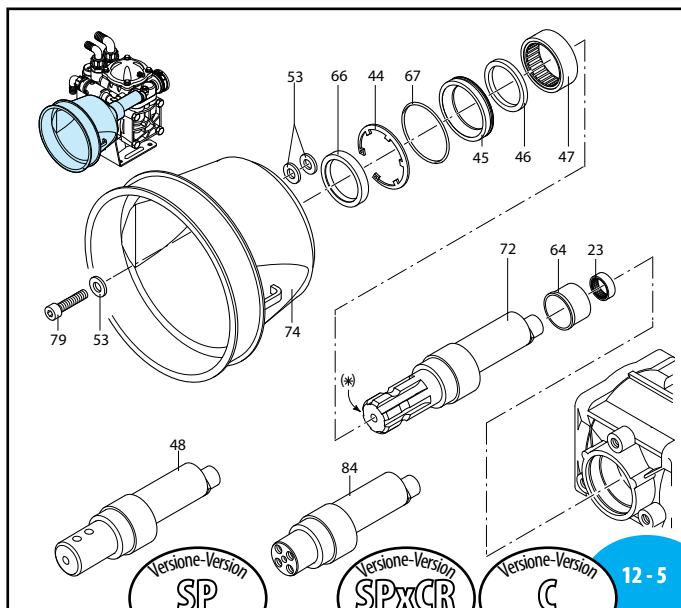
12-3

SL000311-BU



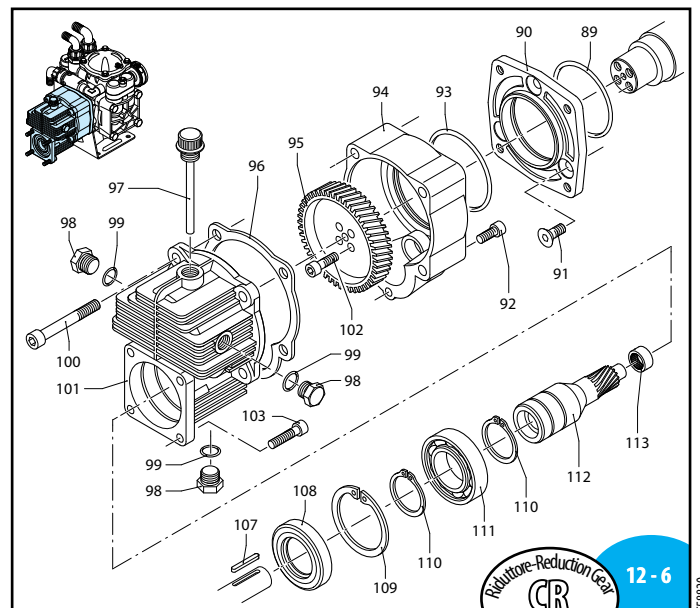
12-4

UN000478-DD



12-5

UN000477-DD



12-6

UN000479-IC

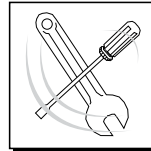
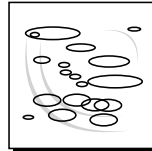
AR 70 bp

Pos. 序号	Cod. 编号	Description	描述	Q.ty 数量	Note 备注
1	550011	Pump body	泵体	1	
2	550101	Right head	右泵头	1	
3	550102	Left head	左泵头	1	
4	550150	Manifold	歧管	1	
5	550180	Lower air chamber	低压气室	1	
6	580370	Plate	金属片	2	(a)
7	550080	Diaphragm	隔膜	2	Gomma
8	550084	Diaphragm	隔膜	2	Viton
9	550085	Diaphragm	隔膜	2	Desmopan
10	550086	Diaphragm	隔膜	2	Hpds
11	550110	Sleeve	套筒	2	
12	550120	Piston	柱塞	1	
13	320030	O-Ring	O型圈	4	90Sh ☒
14	759051	Complete valve	单向阀	4	
15	551040	Bolt M 10x55	螺栓 M10x25	8	Geomet C ₄₀
16	180152	Nut M 10	螺母	2	Geomet C ₄₀
17	580360	Diaphragm pin	隔膜插针	2	● C ₃₀
18	550880	Ring nut 1" G	环形螺母	1	
19	580040	Elbow	弯管	1	
20	550370	Elbow	弯管	1	
21	550350	O-Ring	O型圈	1	☒
22	550340	Threaded adapter	螺口连接器	1	
23	550310	Roller bushing	滚轮套管	1	↓
24	390290	O-Ring	O型圈	7	☒
25	550300	Air valve	空气阀	1	C ₃
26	650542	Gasket	垫片	1	
27	550680	Bolt M 8x20	螺栓 M8x20	4	C ₂₀
28	550233	Upper air chamber	升压气室	1	Nera / Black
29	550190	Semi air chamber	半空气室	1	Gomma
30	550191	Semi air chamber	半空气室	1	Saturflon
31	550192	Semi air chamber	半空气室	1	Viton
32	550193	Semi air chamber	半空气室	1	H.P.D.S.
33	550057	Oil tank cap	机油箱盖	1	Nero / Black
34	550040	O-Ring	O型圈	1	
35	550030	Oil tank	机油箱	1	
36	850851	Bolt M 6x30	螺栓 M6x30	2	C ₁₀
37	180101	O-Ring	O型圈	1	●
38	650661	Diaphragm holder	隔膜支托	1	●
39	650670	Suction diaphragm	抽吸隔膜	1	
40	651670	Clamp	束环	1	
41	200391	Circlip	卡簧	1	
42	550470	Gasket retainer	垫片护圈	1	
43	550070	Spacer ring	隔离片圈	1	
44	550060	Roller bushing	滚轮套管	1	↓
45	550170	"SP" shaft	"SP" 轴	1	(AL)
46	200233	Washer	垫圈	2	Geomet
47	320621	Washer	垫圈	5	Geomet
48	659209	Suct. diaphragm assembly	抽吸隔膜组件	1	
49	550280	Roller bushing	滚轮套管	2	↓
50	550140	Cylinder	气缸	1	☒

Pos. 序号	Cod. 编号	Description	描述	Q.ty 数量	Note 备注
61	580080	Base	底座	1	
62	540301	Bolt M 10x30	螺栓 M10x30	1	Geomet C ₄₀
63	550160	Spacer	隔离片	1	
64	550491	Seal ring	密封圈	1	☒
65	650920	O-Ring	O型圈	1	☒
66	880530	Plug 3/8" G	插头	1	C ₂₀
67	550173	"C" shaft	"C" 轴	1	(AM)
68	1500350	Cardan protection	万向防护罩	1	
69	550332	Washer	垫圈	2	Geomet
70	740290	O-Ring	O型圈	1	▶
71	330173	Plug 1/2" G	插头	1	● C ₂₀
72	881560	Elbow	弯管	1	■
73	620472	Bolt M 10x20	螺栓 M10x20	3	Geomet C ₃₀
74	1609000	Safety valve	安全阀	1	■
75	880831	O-Ring	O型圈	1	Viton
76	550460	Elbow	弯管	1	
77	550450	Ring nut 3/4" G	环形螺母	1	
78	550175	"CRxS" shaft	"CRxS" 轴	1	(AN)
79	450120	Threaded adapter	螺口连接器	1	
80	550870	Ring nut 1" 1/4 G	环形螺母	1	
81	580230	O-Ring	O型圈	1	▶
82	550920	Flange	法兰	1	
83	550950	Bolt M 10x25	螺栓 M10x25	3	● C ₂₀
84	180030	Bolt M 8x20	螺栓 M8x20	1	C ₂₅
85	620561	O-Ring	O型圈	1	☒
86	621000	Gear cap	齿轮盖	1	
87	550930	Gear	齿轮	1	Z=64
88	620950	Gasket	垫片	1	
89	1140370	Oil plug & o-ring	机油插头 & O型圈	1	
90	1980740	Plug 3/8" G	插头	3	Ottone/Brass ● C ₂₀
91	740290	O-Ring	O型圈	3	
92	621010	Bolt M 10x75	螺栓 M10x75	4	● C ₂₅
93	620960	Gear box	齿轮箱	1	
94	540290	Bolt M 8x25	螺栓 M8x25	4	● C ₂₅
95	651000	Bolt 5/16"	螺栓	4	24UNFx1" C ₂₀
96	1300361	Bolt M 10x65	螺栓 M10x65	4	Geomet C ₄₀
97	551030	Spacer	隔离片	8	
98	551020	Base	底座	2	
99	881090	Key	插销	1	
100	961800	Seal ring	密封圈	1	☒
101	961790	Circlip	卡簧	1	
102	320240	Circlip	卡簧	2	
103	961780	Bearing	轴承	1	☒
104	621660	Pinion	输出轴	1	Z=11
105	620990	Bearing	轴承	1	☒
106	180101	O-Ring	O型圈	1	▶
107	550210	Hose tail	软管接口	1	
108	392190	Hose tail	软管接口	1	

Low Pressure 低压

1532 C10455MG



KIT 2361	
Buna diaphragms 丁纳橡胶隔膜	
KIT 2362	
HPDS diaphragms HPDS 隔膜	
KIT 2363	
Desmopan diaphragms 德国拜耳隔膜	
Pos. 序号	Q.ty 数量
7	2

KIT 2364	
Valves 单向阀	
Pos. 序号	Q.ty 数量
10	4
11	4

KIT 2365	
O-Rings O型圈	
Pos. 序号	Q.ty 数量
10	4
18	1
24	7
27	1
33	1
36	1
67	1
76	1

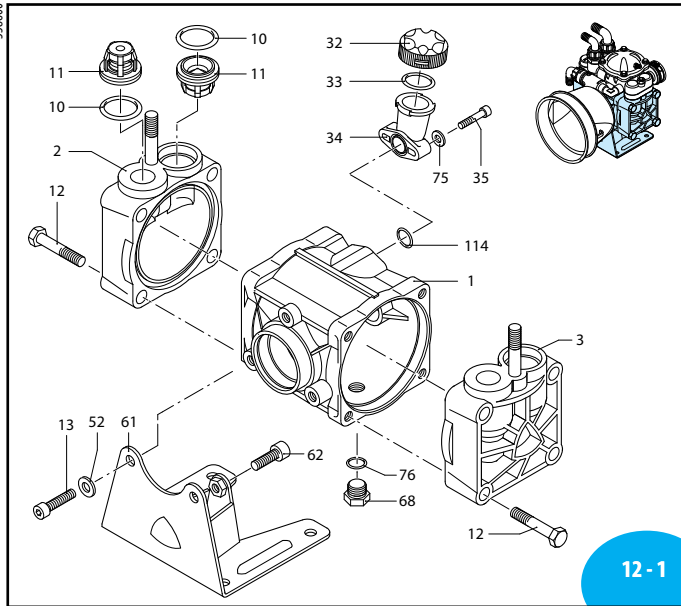
KIT 2366					
Maintenance repair buna diaphragm 维修工具丁纳橡胶隔膜					
Pos. 序号	Q.ty 数量	Pos. 序号	Q.ty 数量	Pos. 序号	Q.ty 数量
6	1	24	7		
7	2	32	1		
10	4	33	1		
11	4	34	1		
14	1	36	1		
15	1	66	1		
16	1	87	1		
17	1	88	1		
18	1				
19	1				

Used oil 使用机油	
Type / 类型	Kg
Pump - 水泵 SAE 30	1
Gear box - 齿轮箱 SAE 30	0,26

(a) During assembling use PG 54 GREASE between plate and diaphragm

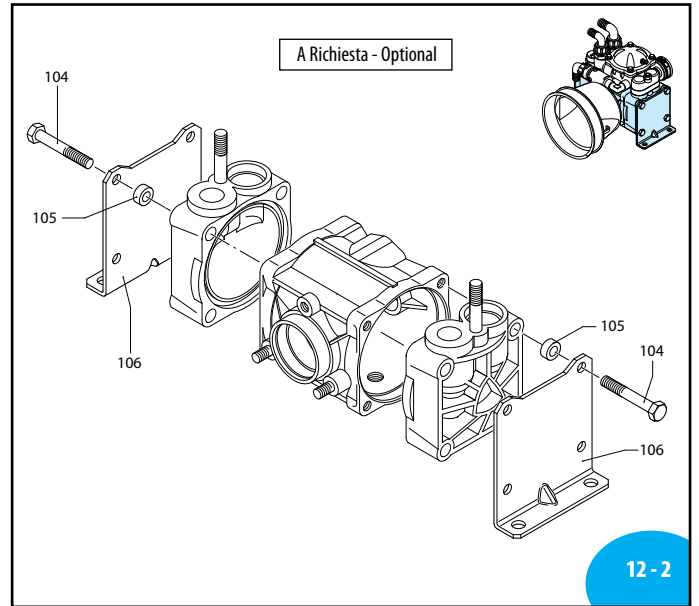
(a) 组装时在金属片与隔膜之间使用 PG 54 润滑油

558600



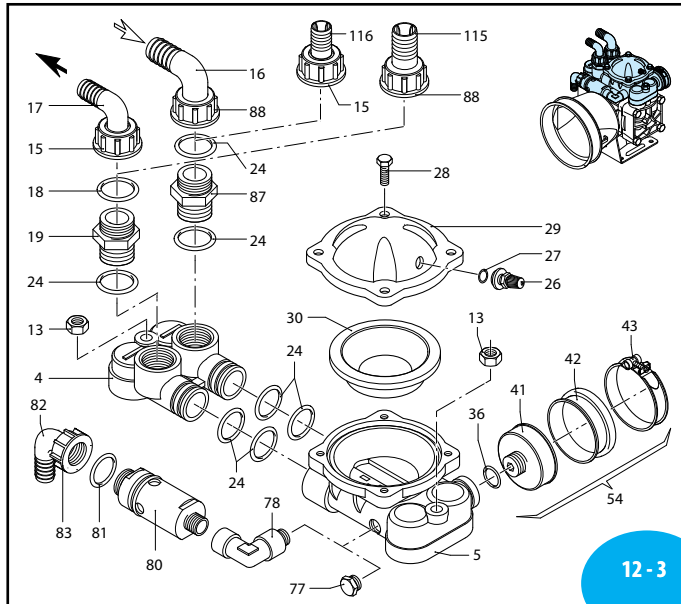
12-1

SLO00310-BU



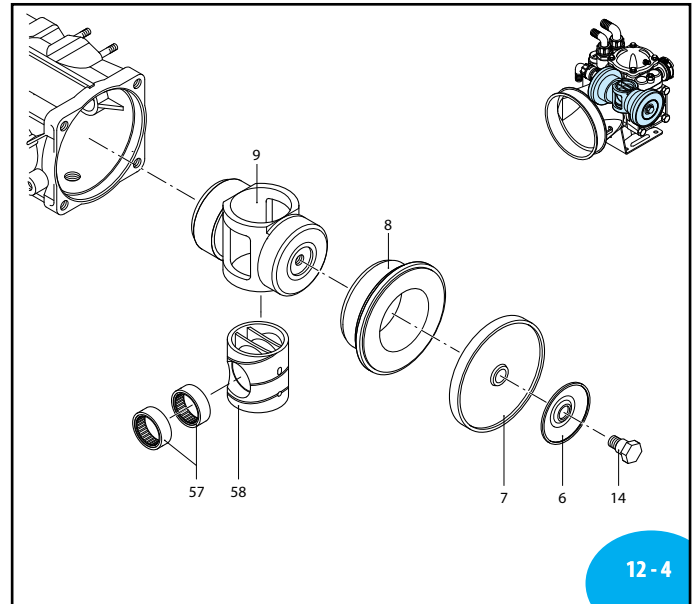
12-2

UN000796-ED



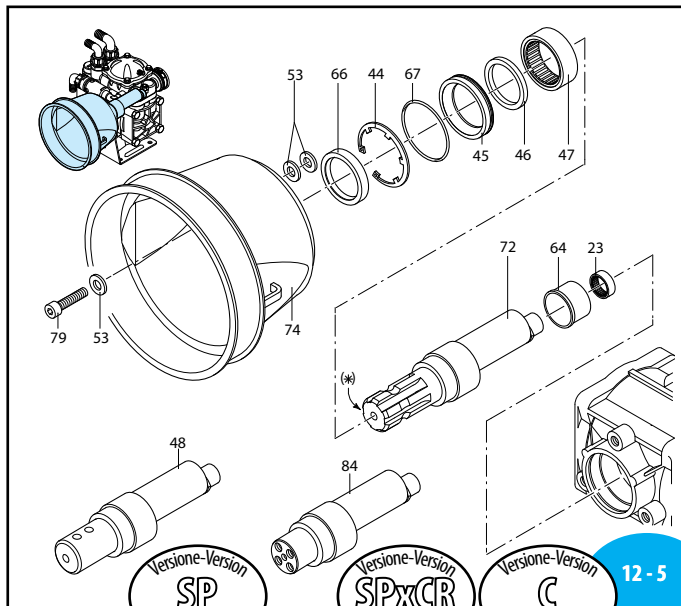
12-3

SLO00311-BU



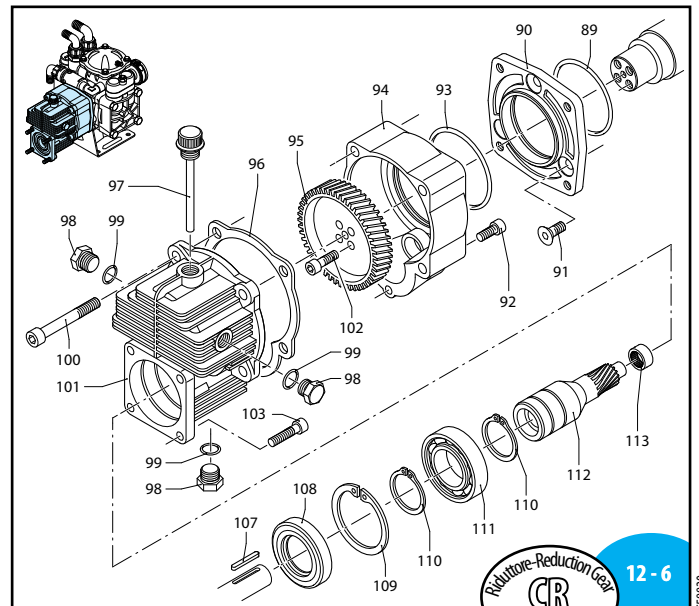
12-4

UN000478-DD



12-5

UN000477-DD



12-6

UN000479-IC

Versione-Version
SP

Versione-Version
SPxCR

Versione-Version
C

Reduttore-Reduction Gear
CR

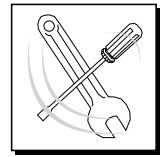
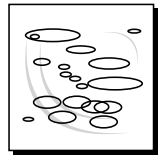
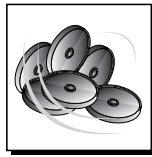
AR 70 bp

Pos.	Cod.	Descrizione	Description	Q.ty	Note
1	550011	Corpo pompa	Pump body	1	
2	550101	Testa valvola DX	Right head	1	
3	550102	Testa valvola SX	Left head	1	
4	550150	Attacco	Manifold	1	
5	550180	Semisfera inferiore	Lower air chamber	1	
6	580370	Piattello	Plate	2	(a)
	550080	Membrana	Diaphragm	2	Gomma
	550084	Membrana	Diaphragm	2	Viton
	550085	Membrana	Diaphragm	2	Desmopan
	550086	Membrana	Diaphragm	2	Hpds
8	550110	Camicia	Sleeve	2	
9	550120	Pistone	Piston	1	
10	320030	OR ø 31,5x4,5	O-Ring	4	90Sh ☒
11	759051	Valvola completa	Complete valve	4	
12	551040	Vite TE M 10x55	Bolt	8	Geomet C ₄₀
13	180152	Dado M 10	Nut	2	Geomet C ₄₀
14	580360	Perno membrana	Diaphragm pin	2	● C ₃₀
15	550880	Girello 1" G	Ring nut	1	
16	580040	Curva ø 30	Elbow	1	
17	550370	Curva ø 25	Elbow	1	
18	550350	OR ø 23,81x2,62	O-Ring	1	☒
19	550340	Nipples 1"G(M)-1"G(M)	Threaded adapter	1	
23	550310	Boccola a rullini	Roller bushing	1	↓
24	390290	OR ø 29x3	O-Ring	7	☒
26	550300	Valvola di gonfiaggio	Air valve	1	C ₃
27	650542	Guarnizione	Gasket	1	
28	550680	Vite TE M 8x20	Bolt	4	C ₂₀
29	550233	Semisfera superiore	Upper air chamber	1	Nera / Black
	550190	Semicamera aria	Semi air chamber	1	Gomma
	550191	Semicamera aria	Semi air chamber	1	Saturflon
	550192	Semicamera aria	Semi air chamber	1	Viton
	550193	Semicamera aria	Semi air chamber	1	H.P.D.S.
32	550057	Tappo serbatoio olio	Oil tank cap	1	Nero / Black
33	550040	OR ø 26,65x2,62	O-Ring	1	
34	550030	Serbatoio olio	Oil tank	1	
35	850851	Vite TCEI M 6x30	Bolt	2	C ₁₀
36	180101	OR ø 17,5x2	O-Ring	1	●
41	650661	Porta membrana	Diaphragm holder	1	●
42	650670	Membranina asp.	Suction diaphragm	1	
43	651670	Fascetta	Clamp	1	
44	200391	Anello seeger	Circlip	1	
45	550470	Bussola anello tenuta	Gasket retainer	1	
46	550070	Rondella tenuta	Spacer ring	1	
47	550060	Boccola a rullini	Roller bushing	1	↓
48	550170	Albero eccentrico "SP"	"SP" shaft	1	(AL)
52	200233	Rosetta øi 10,5	Washer	2	Geomet
53	320621	Rosetta øi 10,5	Washer	5	Geomet
54	659209	Prem. membranina asp.	Suct. diaphragm assembly	1	
57	550280	Boccola a rullini	Roller bushing	2	↓
58	550140	Cilindro traina pistone	Cylinder	1	☒

Pos.	Cod.	Descrizione	Description	Q.ty	Note
61	580080	Piede corpo pompa	Base	1	
62	540301	Vite TCEI M 10x30	Bolt	1	Geomet C ₄₀
64	550160	Distanziale	Spacer	1	
66	550491	Anello tenuta	Seal ring	1	☒
67	650920	OR ø 53,65x2,62	O-Ring	1	☒
68	880530	Tappo 3/8" G	Plug	1	C ₂₀
72	550173	Albero eccentrico "C"	"C" shaft	1	(AM)
74	1500350	Protezione cardano	Cardan protection	1	
75	550332	Rosetta øi 6,5	Washer	2	Geomet
76	740290	OR ø 14x1,78	O-Ring	1	▶
77	330173	Tappo 1/2" G	Plug	1	● C ₂₀
78	881560	Gomito 90° 1/2" G (M)-(F)	Elbow	1	●
79	620472	Vite TCEI M 10x20	Bolt	3	Geomet C ₃₀
80	1609000	Valvola di sicurezza	Safety valve	1	■
81	880831	OR ø 15,54x2,62	O-Ring	1	Viton
82	550460	Curva ø 18	Elbow	1	
83	550450	Girello 3/4" G	Ring nut	1	
84	550175	Albero eccentric. "CRxS"	"CRxS" shaft	1	(AN)
87	450120	Nipples 1"-1"1/4 G (M)-(M)	Threaded adapter	1	
88	550870	Girello 1"1/4 G	Ring nut	1	
89	580230	OR ø 69,52x2,62	O-Ring	1	▶
90	550920	Flangia	Flange	1	
91	550950	Vite TSEI M 10x25	Bolt	3	● C ₂₀
92	180030	Vite TCEI M 8x20	Bolt	1	C ₂₅
93	620561	OR ø 78x2,5	O-Ring	1	☒
94	621000	Coperchio riduttore	Gear cap	1	
95	550930	Ruota dentata	Gear	1	Z=64
96	620950	Guarnizione scatola	Gasket	1	
97	1140370	Tappo olio + OR	Oil plug & o-ring	1	
98	1980740	Tappo 3/8" G	Plug	3	Ottone/Brass ● C ₂₀
99	740290	OR ø 14x1,78	O-Ring	3	
100	621010	Vite TCEI M 10x75	Bolt	4	● C ₂₅
101	620960	Scatola riduttore	Gear box	1	
102	540290	Vite TCEI M 8x25	Bolt	4	● C ₂₅
103	651000	Vite TCEI 5/16"	Bolt	4	24UNFx1" C ₂₀
104	1300361	Vite TE M 10x65	Bolt	8	Geomet C ₄₀
105	551030	Distanziale piede	Spacer	8	
106	551020	Piede	Base	2	
107	881090	Linguetta	Key	1	
108	961800	Anello tenuta	Seal ring	1	☒
109	961790	Anello seeger	Circlip	1	
110	320240	Anello seeger	Circlip	2	
111	961780	Cuscinetto	Bearing	1	☒
112	621660	Pignone	Pinion	1	Z=11
113	620990	Cuscinetto	Bearing	1	☒
114	180101	OR ø 17,5x2	O-Ring	1	▶
115	550210	Portagomma ø 25	Hose tail	1	
116	392190	Portagomma ø 40	Hose tail	1	

Bassa Pressione
Low Pressure

1532 CI0455MG



KIT 2361	
Membrane gomma Buna diaphragms	
KIT 2362	
Membrane HPDS HPDS diaphragms	
KIT 2363	
Membrane Desmopan Desmopan diaphragms	
Pos.	Q.ty
7	2

KIT 2364	
Valvole Valves	
Pos.	Q.ty
10	4
11	4

KIT 2365	
OR O-Rings	
Pos.	Q.ty
10	4
18	1
24	7
27	1
33	1
36	1
67	1
76	1

KIT 2366					
Pronto intervento membrane in gomma Maintenance repair buna diaphragm					
Pos.	Q.ty	Pos.	Q.ty	Pos.	Q.ty
6	1	24	7		
7	2	32	1		
10	4	33	1		
11	4	34	1		
14	1	36	1		
15	1	66	1		
16	1	87	1		
17	1	88	1		
18	1				
19	1				

Olio utilizzato	
Used oil	
Tipo - Type	Kg
Pompa-Pump SAE 30	1
Ridut.-Gear box SAE 30	0,26

(a) Montare con GRASSO PG 54 fra piattello e membrana
(a) During assembling use PG 54 GREASE between plate and diaphragm